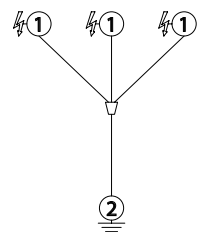




EARTH AND SHORT CIRCUIT DEVICE FOR MV SYSTEMS WITH BARE CONDUCTORS IN PRIMARY SUBSTATIONS MV/ HV, MV SIDE SUITABLE FOR STRONG SHORT CIRCUIT CURRENTS



Composition:

n° 3 brass clamps with hexagonal threaded coupling CH12, bayonet or DIN and tightening:

- \varnothing 3÷50 mm on cylindrical conductors
- Thickness max 55x35 mm on flat bars
- Thickness max 35x60 mm on slanted bars
- Spherical fixed points \varnothing 20/25 mm

n° 3 copper cables sec. 25/50/95 mm² length = 1÷5 m covered with silicone sheath

n° 1 three-polar insulated connector

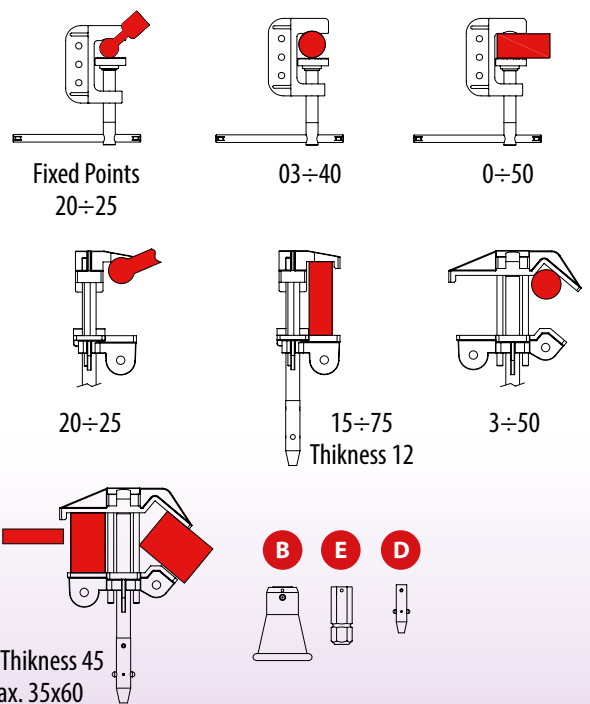
n° 1 earthing cable sec. 16/25/35 mm² and length = 0÷2 m covered with silicone cable

n° 1 earthing brass clamp with screw tightening on thickness 0÷50 mm and/or spherical fixed points \varnothing 20/25 mm

n° 1 telescopic insulating stick length = 1/1,5 m or in two/three elements 1,5 m long each, joinable with aluminum joint and stop ring

n° 1 metal box

n° 1 nylon bag with shoulder belt for the stick



Cable sec. mm ²	Icc		
	0,25 _s	0,5 _s	1 _s
25	13,7 kA	8 kA	5,6 kA
50	22,5 kA	18 kA	12,7 kA
95	-	35 kA	25,2 kA

In accordance to STD IEC 61230

Ref./Conf. **STF RFI DPRIM STF IFS 020**

Our Mod. **CCCA D/B/E**